



राष्ट्रीय सिद्ध संस्थान / NATIONAL INSTITUTE OF SIDDHA

आयुष मंत्रालय / Ministry of AYUSH

भारत सरकार / GOVERNMENT OF INDIA

ताम्बरम सनटोरियम चेन्नई -600 047 / TAMBARAM SANATORIUM, CHENNAI -600 047

फोन \ Tele : 044-22411611

फैक्स \ Fax : 22381314

ईमेल: nischennaisiddha@yahoo.co.in

वेब : www.nischennai.org

NIS/3-158/RRDRProject

दिनांक/Date: 10.10.2022

To

विषय/Sub: NIS Chennai – Procurement of Acrylic Display Stand - Quotation Called for – reg.

A Regional Raw Drug Repository (RRDR) for Ayurveda, Siddha and Unani medicines for the southern plateau region is being set up at the National Institute of Siddha, Chennai. A five-year project, the repository will serve as a one-stop library for raw drugs available in this part of the country. For this purpose, the Institute intends to procure Acrylic Display Stand for displaying the samples with Label. Specification of the Acrylic Display Stand is as detailed under:-

Acrylic Display Stand

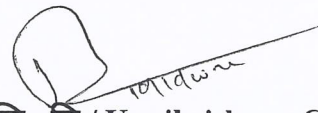
- Material : Acrylic
- Product Type : Stand
- Colour : Transparent
- Mounting type: Table Top
- Shape : Rectangle
- Capacity : Single
- Thickness : 3 mm
- Dimensions : 12 (H) x 10 (W) cm; Folding flip length 5 cm; Base 6 cm
- Quantity : 3000 numbers

You are requested to quote your lowest rate for the above item. Rate shall be quoted as per the specification detailed above. Your quotation may be sent to this Institute latest by **25/10/2022 (5.00 PM)** in a Sealed Cover superscribed as “**QUOTATION FOR ACRYLIC DISPLAY STAND.**”

Terms and conditions

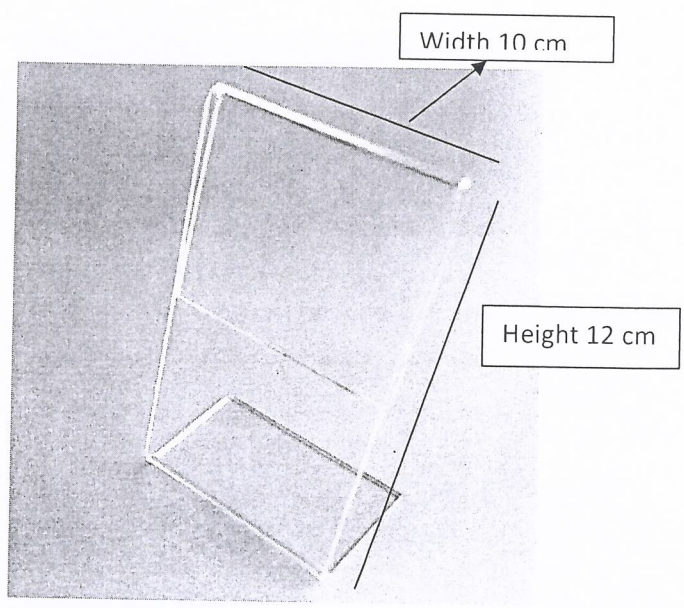
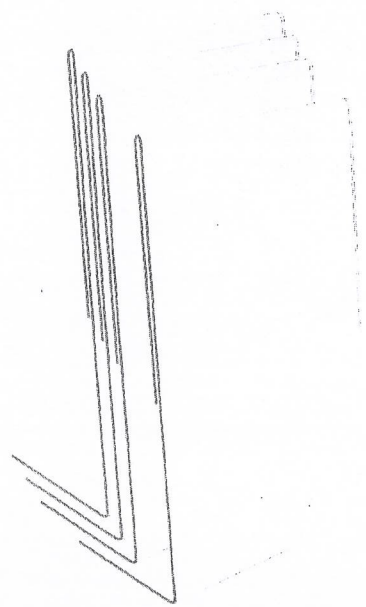
1. Rates may be quoted both in figures and words.
2. Quoting firms should clearly indicate the percentage of taxes & duties (GST etc. along with the HSN Code). Offers with such stipulations as ‘as applicable’ will be treated as vague and are liable to be ignored.
3. Copy of PAN card, GST registration certificate should be enclosed along with your quotation.
4. Only consolidated rates may be quoted. Transportation charges should not be quoted separately.
5. No advance payment will be made. The firm shall claim payment upon completion of the supply.

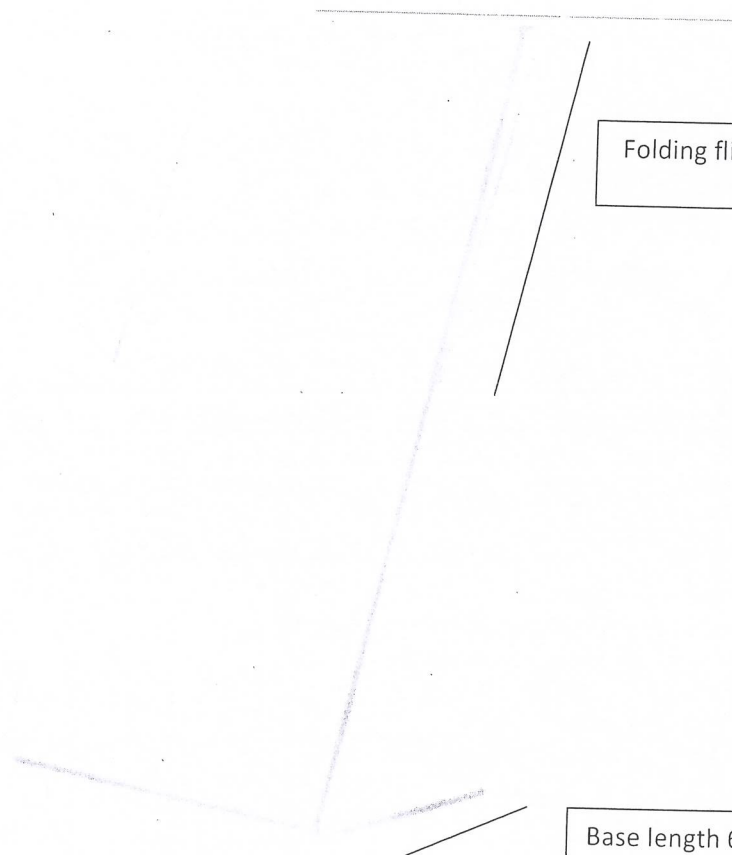
Yours faithfully,


उष्णिकृष्णन सि. बि / Unnikrishnan C.B.
उप निदेशक (प्र) / Deputy Director (Admn)

Specification:

- Material : Acrylic
- Product type : Stand
- Color : Transparent
- Mounting type : Table top
- Shape : Rectangle
- Capacity : Single
- Thickness : 3 mm
- Dimensions : 12 (H) X 10 (W) cm; Folding flip length 5 cm; Base 6 cm
- Required quantity : 3000 numbers





Folding flip length 5 cm

Base length 6 cm